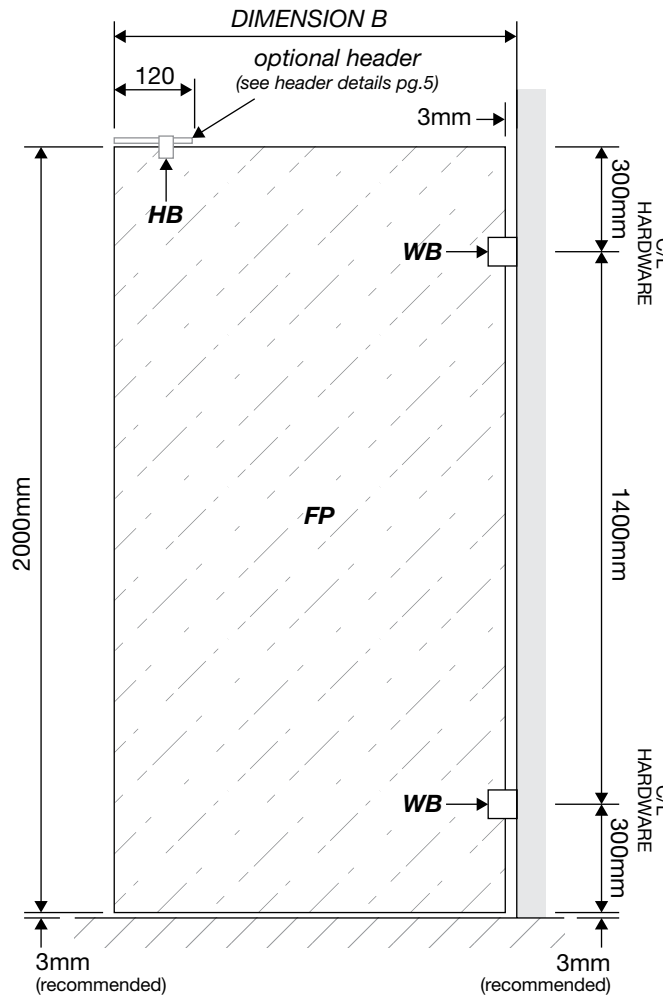
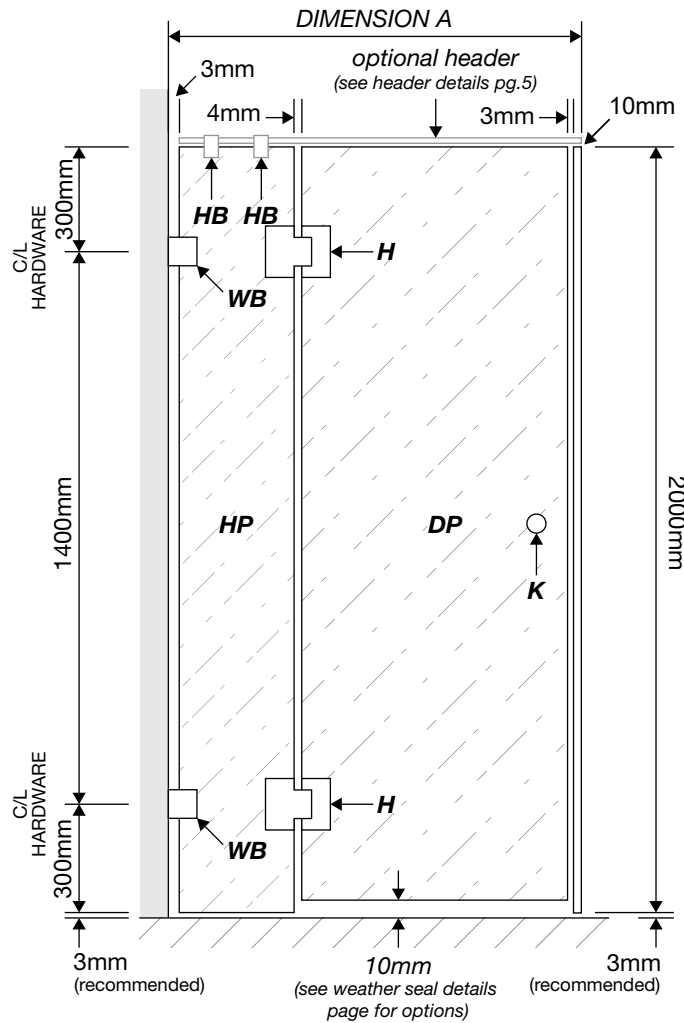


ELITE 3 PANEL A CORNER SHOWER SERIES (technical drawings)



LEGEND

- | | |
|-----------|--|
| FP | Shower screen fixed glass panel (FP Glass Series). |
| DP | Shower screen door glass panel with hinge cutouts and hole for selected door knob (DP Glass Series). |
| HP | Shower screen hinge glass panel with two cutouts for door panel hinges (HP Glass Series). |
| H | Glass-to-Glass Hinge x2 |
| WB | Wall Bracket x4 |
| HB | Header Bracket (optional) |
| K | Knob x1 |

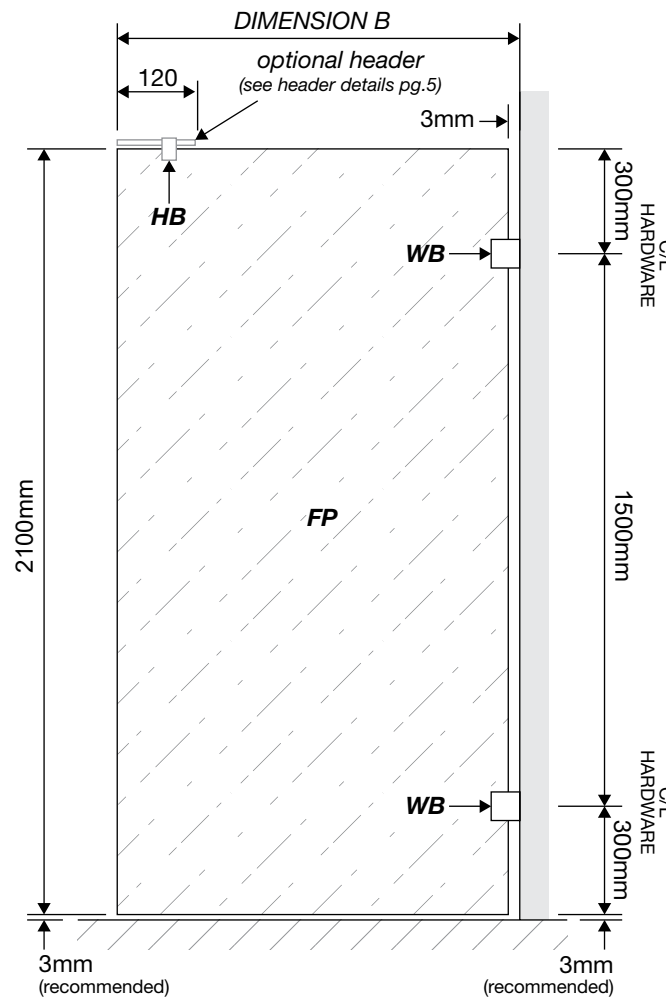
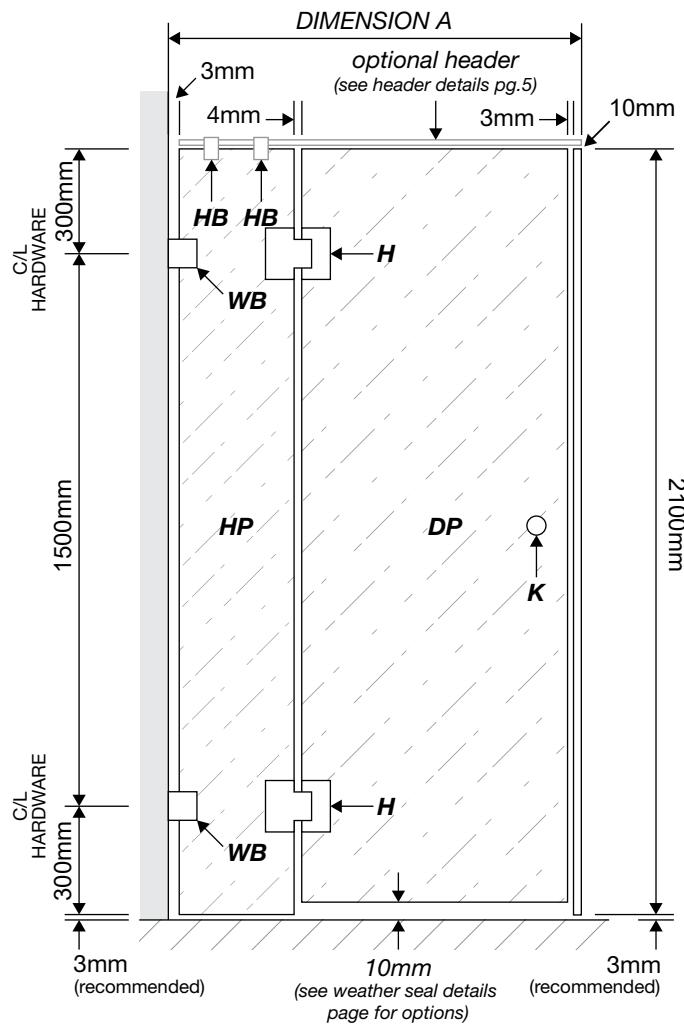
Between hinge panel and top header, silicon beading is required.

Between fixed panel and top header, silicon beading is required.

**** All glass is 10mm clear toughened. ****

ELEVATION DRAWING

DESIGN 3 PANEL A CORNER SHOWER SERIES (technical drawings)



LEGEND

- FP** Shower screen fixed glass panel (FP Glass Series).
- DP** Shower screen door glass panel with hinge cutouts and hole for selected door knob (DP Glass Series).
- HP** Shower screen hinge glass panel with two cutouts for door panel hinges (HP Glass Series).
- H** Glass-to-Glass Hinge x2
- WB** Wall Bracket x4
- HB** Header Bracket (optional)
- K** Knob x1

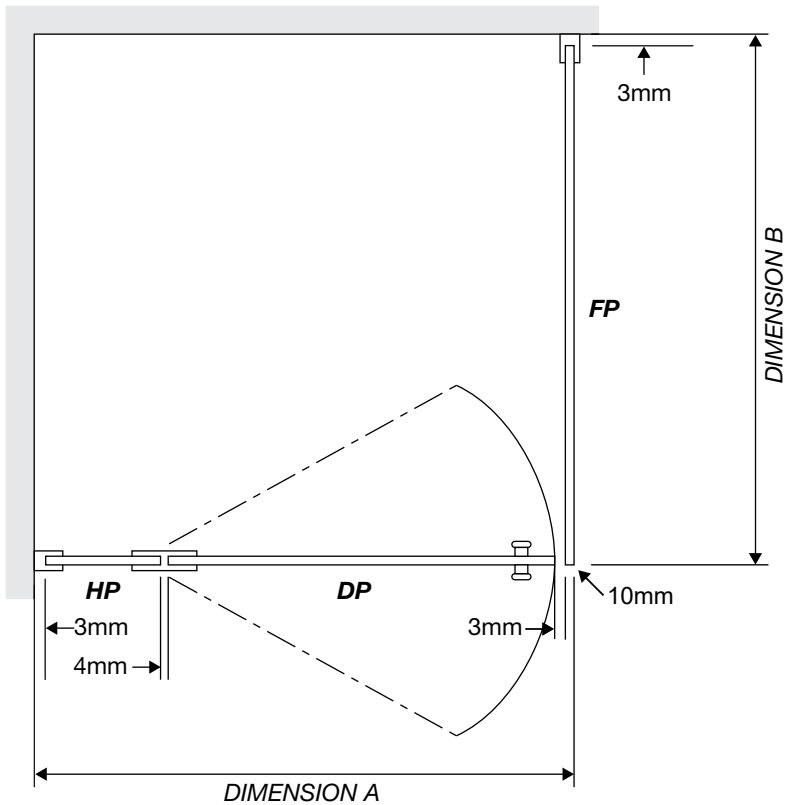
Between hinge panel and top header, silicon beading is required.

Between fixed panel and top header, silicon beading is required.

**** All glass is 10mm clear toughened. ****

ELEVATION DRAWING

3 PANEL A CORNER SHOWER SERIES (technical drawings)

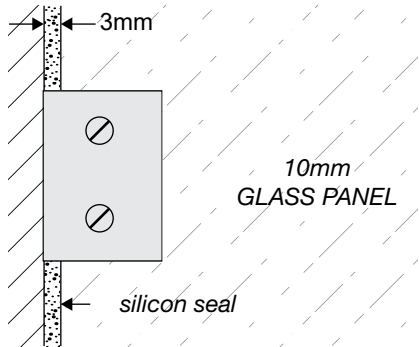


Dimension A, is the overall dimension including gaps between glass panels.
Between hinge panel and wall, silicon beading is required.

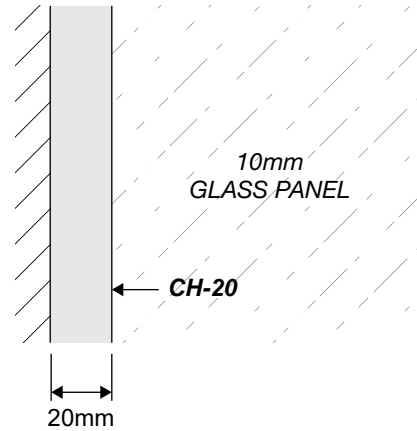
Dimension B, is the overall dimension including the gap between glass and wall.
Between fixed panel and wall, silicon beading is required.

WALL/FLOOR MOUNTING APPLICATIONS

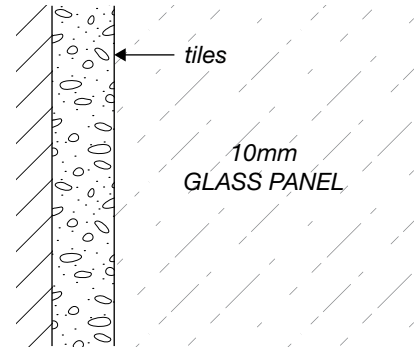
1/ CLAMP



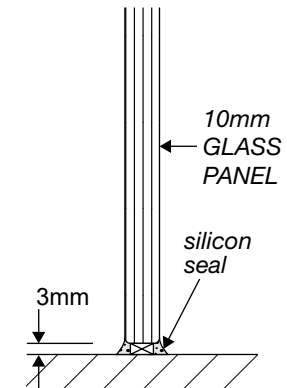
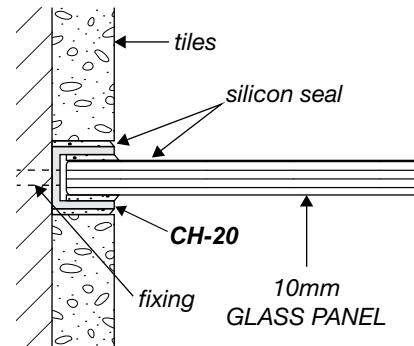
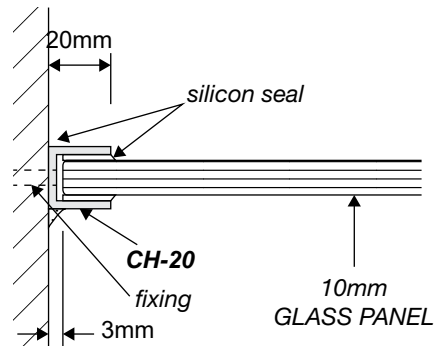
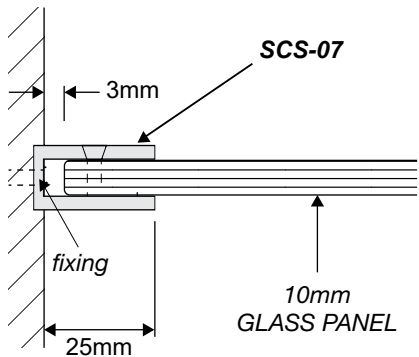
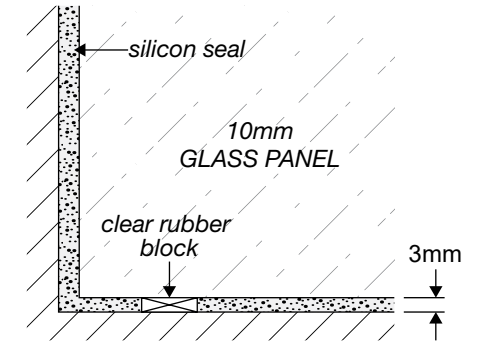
2/ CHANNEL



3/ REBATED CHANNEL (INTO TILES)



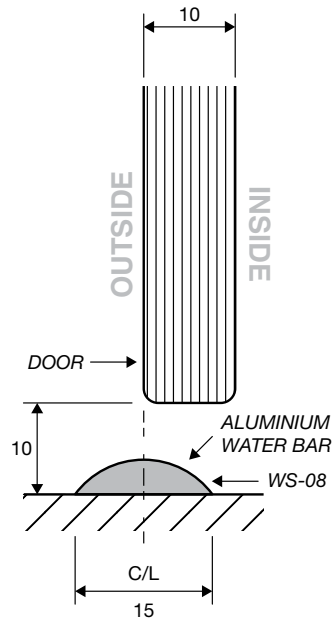
4/ GLASS-TO-FLOOR SEAL



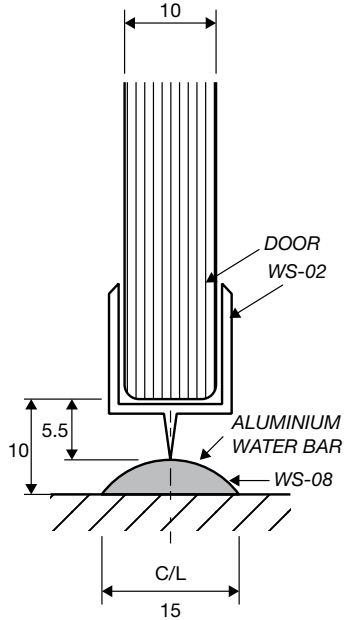
WALL MOUNT DRAWINGS

CLEAR WATER SEAL APPLICATIONS

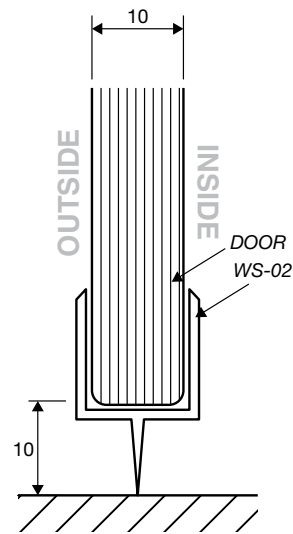
OPTION 1



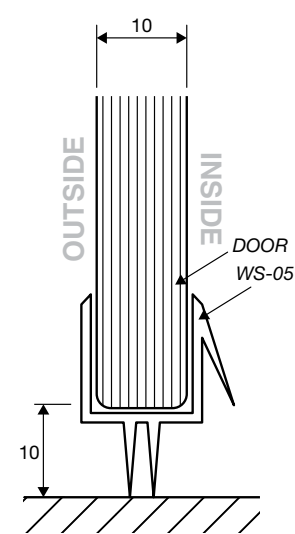
OPTION 2



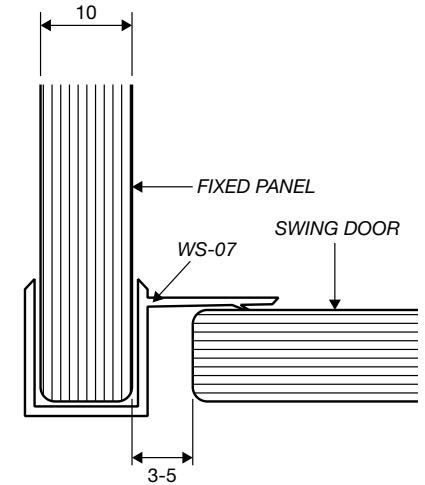
OPTION 3



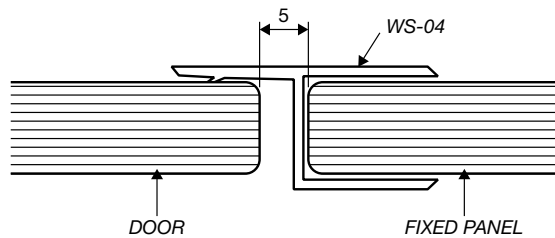
OPTION 4



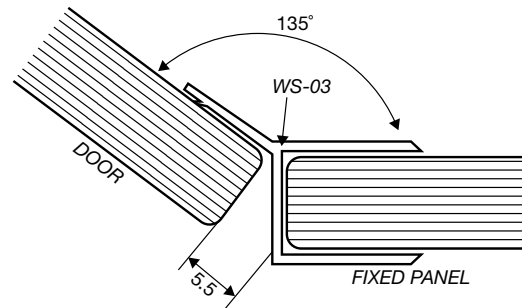
OPTION 5



OPTION 6 (FLOOR TO FIXED PANEL SEAL)

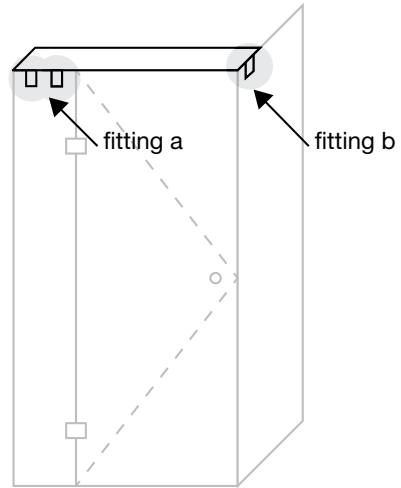


OPTION 7 (135° JOINT SEAL)



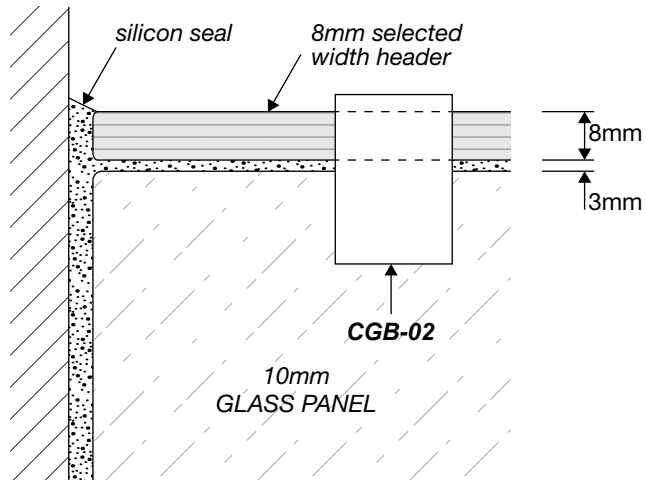
SEAL APPLICATION DRAWINGS

SHOWER HEADER APPLICATION

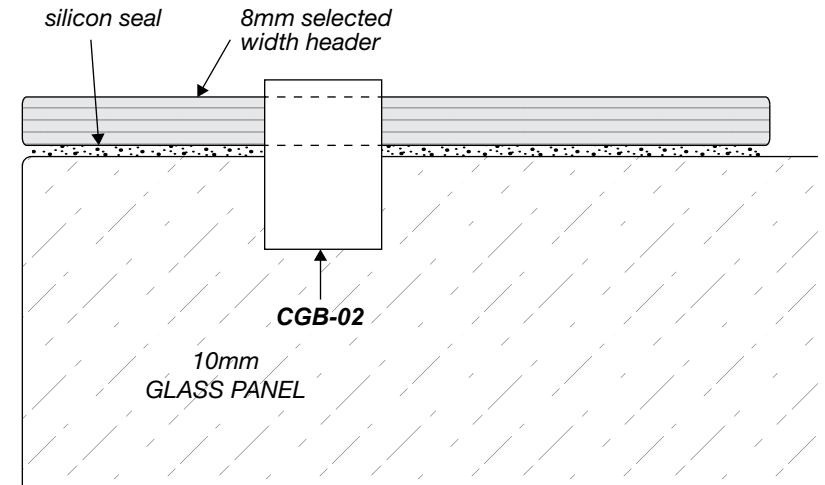


****Where fitting a and b is located,
silicon beading is required.****

FITTING A



FITTING B



ELEVATION DRAWING